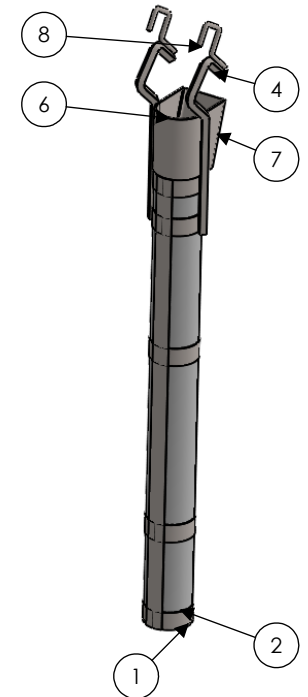


ITEM NO.	PART	Material	StockSize	CutLength	QTY.
1	Mesh TTM	Titanium Grade 4	0.02 X 8 3/4"	25 7/8"	1
2	Support Ring TTM	Titanium Grade 4	0.06 X 1"	8.10	5
3	Bottom Plate TTM	Titanium Grade 4	2.53 Plate	0.06	1
4	Hook 2 TTM	Titanium Grade 4	3/8" X 3/8"	...?	2
5	SideSupport TTM	Titanium Grade 4	0.05 X 1	26"	1
6	Plate 3 TTM	Titanium Grade 4	0.09 X 3 1/2"	8.63	1
7	Plate 2 TTM	Titanium Grade 4	0.09 X 2.92	3.64	1
8	Hook 4 TTM	Titanium Grade 4	1/4" ROD	5 11/16" ?	2



PROPRIETARY AND CONFIDENTIAL
 THE INFORMATION CONTAINED IN THIS DRAWING IS THE SOLE PROPERTY OF AMERICAN RACK COMPANY. ANY REPRODUCTION IN PART OF AS A WHOLE WITHOUT THE WRITTEN PERMISSION OF AMERICAN RACK COMPANY IS PROHIBITED

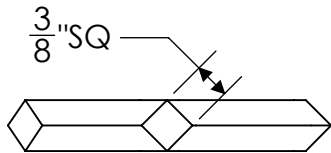
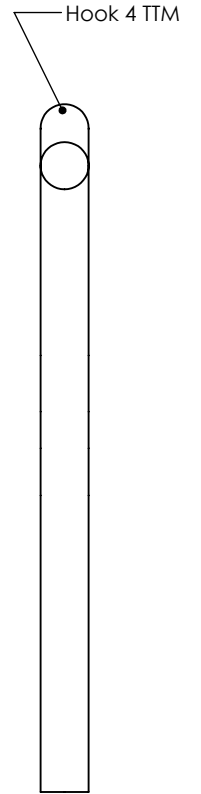
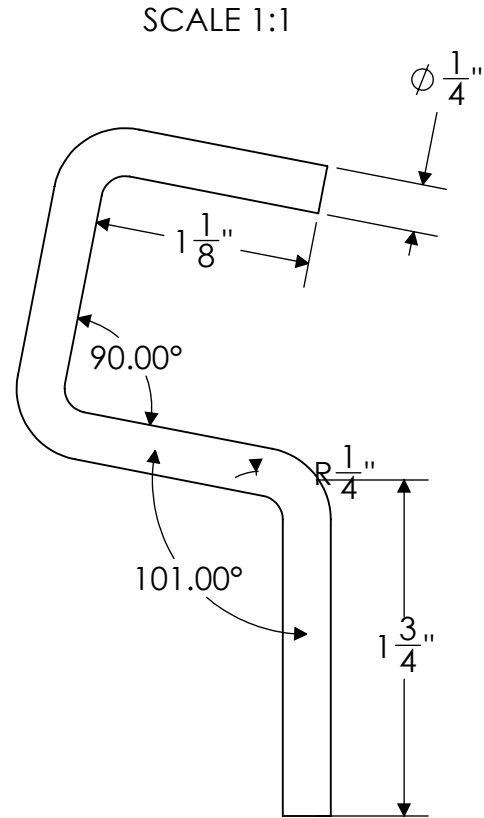
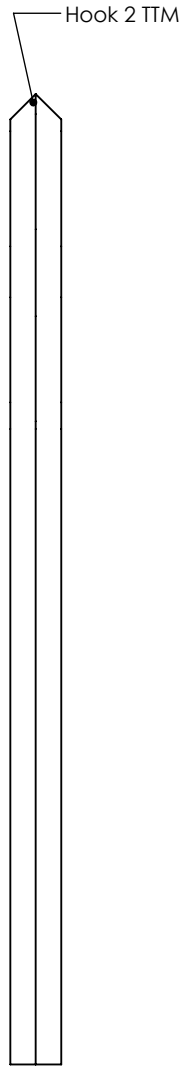
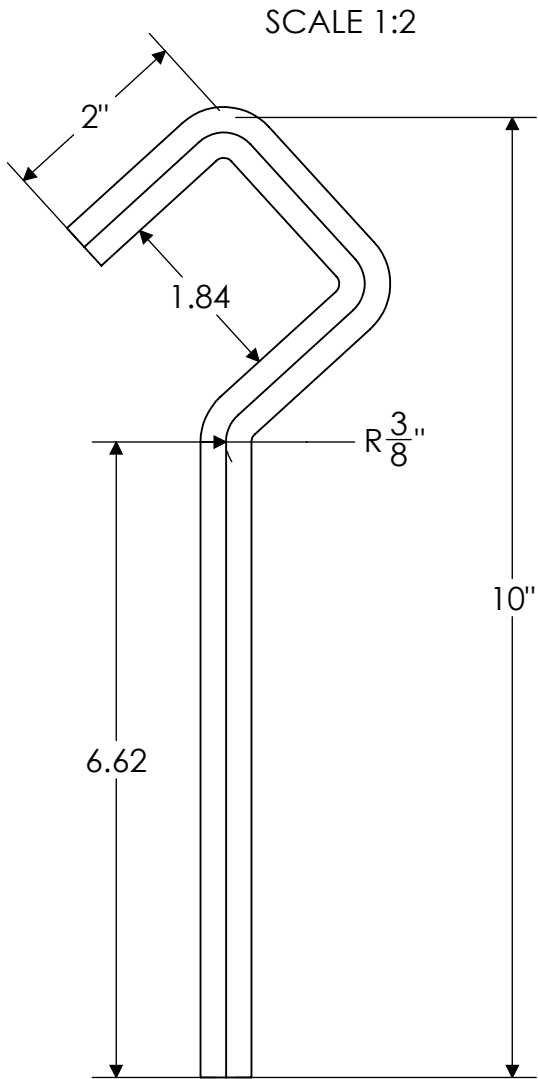
UNLESS OTHERWISE SPECIFIED:
 DIMENSION ARE IN INCHES
 TOLERANCES:
 FRACTIONAL: ±1/16
 ANGULAR: 1°

DESIGNER:
 APPROVED:
 DETAILER:

AMERICAN RACK
CHICAGO

CREATED DATE: 1/19/2021 PLOTE DATE: 1/20/2021
 COATING COLOR: SHEET 1 OF 5

Customer:
 Rack #:
 Part #:
 Parts Per Rack:



PROPRIETARY AND CONFIDENTIAL
 THE INFORMATION CONTAINED IN THIS DRAWING IS THE SOLE PROPERTY OF AMERICAN RACK COMPANY. ANY REPRODUCTION IN PART OF AS A WHOLE WITHOUT THE WRITTEN PERMISSION OF AMERICAN RACK COMPANY IS PROHIBITED

UNLESS OTHERWISE SPECIFIED:
 DIMENSION ARE IN INCHES
 TOLERANCES:
 FRACTIONAL: $\pm 1/16$
 ANGULAR: 1°

DESIGNER:
 APPROVED:
 DETAILER:

AMERICAN RACK
CHICAGO

DRAWN DATE: 1/20/2021

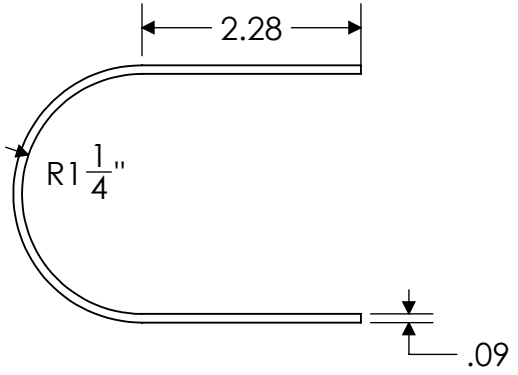
SHEET 2 OF 5

Customer:

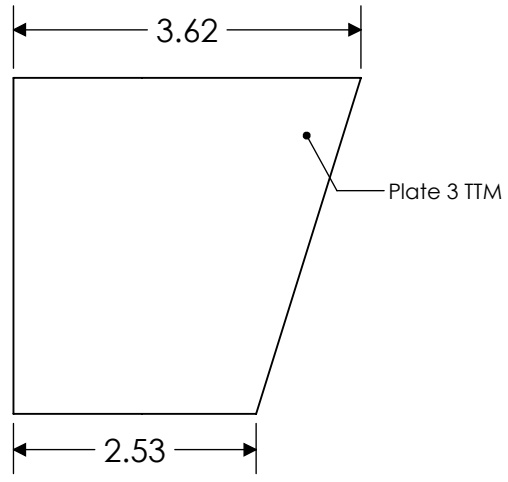
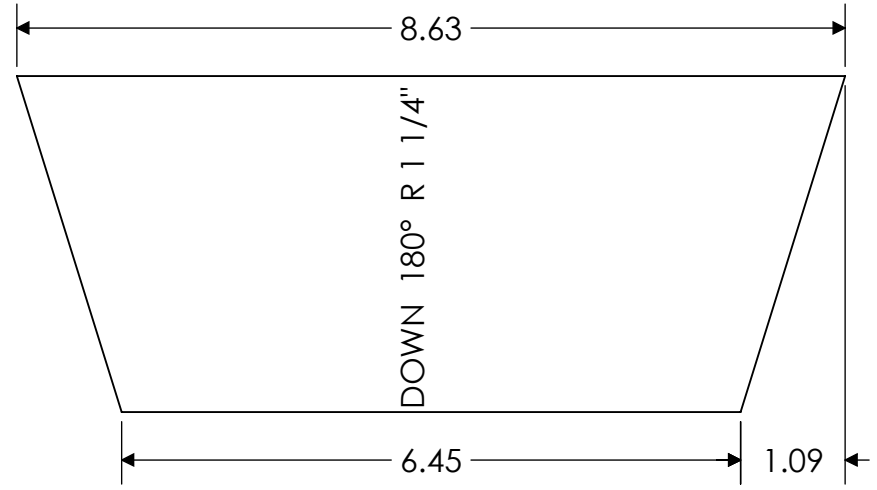
Rack #:

Part #:

Parts Per Rack:



Flat Pattern



PROPRIETARY AND CONFIDENTIAL
 THE INFORMATION CONTAINED IN THIS DRAWING IS THE SOLE PROPERTY OF AMERICAN RACK COMPANY. ANY REPRODUCTION IN PART OF AS A WHOLE WITHOUT THE WRITTEN PERMISSION OF AMERICAN RACK COMPANY IS PROHIBITED

UNLESS OTHERWISE SPECIFIED:
 DIMENSION ARE IN INCHES
 TOLERANCES:
 FRACTIONAL $\pm 1/16$
 ANGULAR: 1°

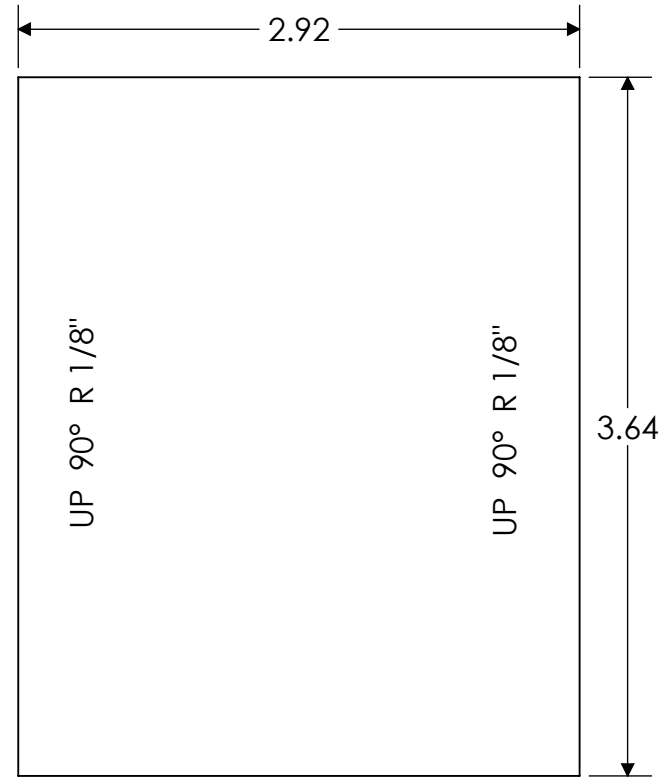
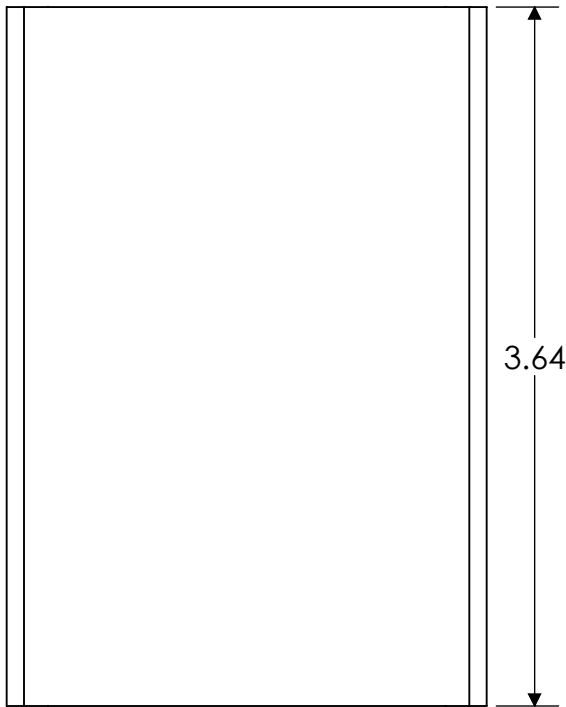
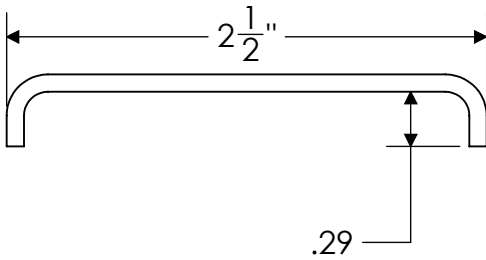
DESIGNER:
 APPROVED:
 DETAILER:

AMERICAN RACK
CHICAGO

DRAWN DATE: 1/20/2021

SHEET 3 OF 5

Customer:
 Rack #:
 Part #:
 Parts Per Rack:



PROPRIETARY AND CONFIDENTIAL
 THE INFORMATION CONTAINED IN
 THIS DRAWING IS THE SOLE PROPERTY OF
 AMERICAN RACK COMPANY. ANY
 REPRODUCTION IN PART OF AS A WHOLE
 WITHOUT THE WRITTEN PERMISSION OF
 AMERICAN RACK COMPANY IS PROHIBITED

UNLESS OTHERWISE SPECIFIED:
 DIMENSION ARE IN INCHES
 TOLERANCES:
 FRACTIONAL: ±1/16
 ANGULAR: 1°

DESIGNER:
 APPROVED:
 DETAILER:

AMERICAN RACK
 CHICAGO

DRAWN DATE: 1/20/2021

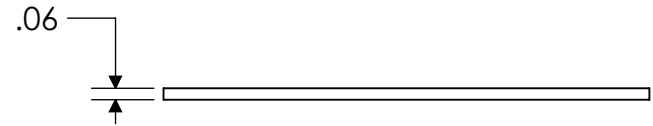
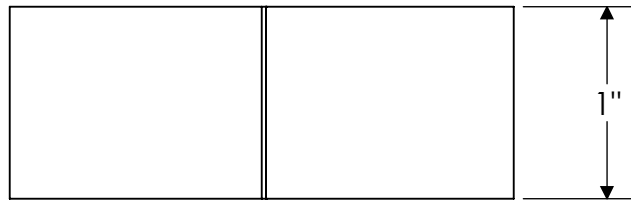
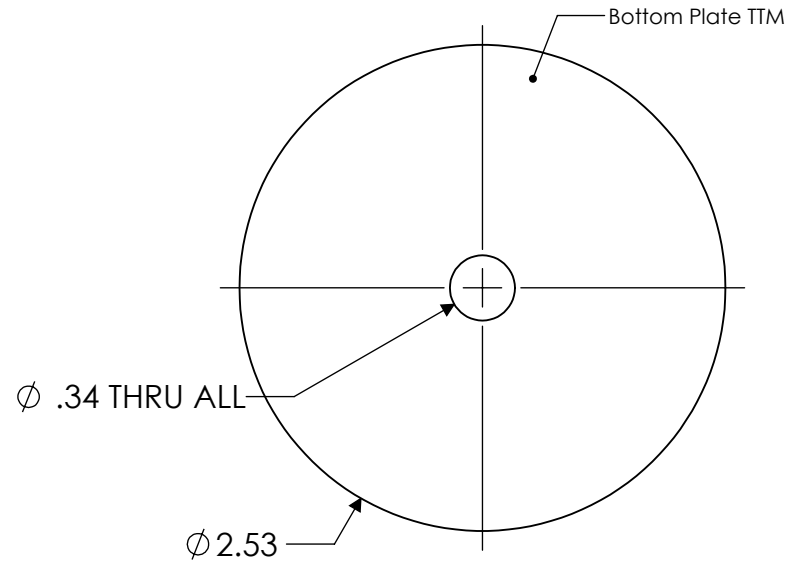
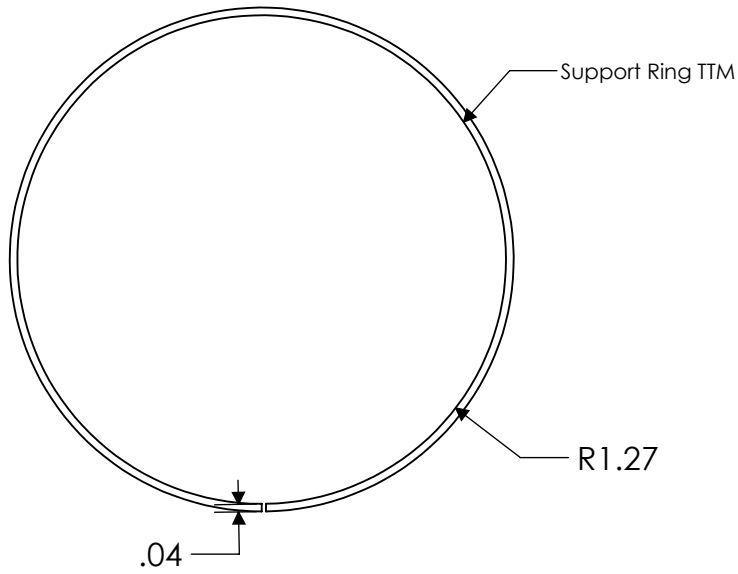
SHEET 4 OF 5

Customer:

Rack #:

Part #:

Parts Per Rack:



PROPRIETARY AND CONFIDENTIAL
 THE INFORMATION CONTAINED IN
 THIS DRAWING IS THE SOLE PROPERTY OF
 AMERICAN RACK COMPANY. ANY
 REPRODUCTION IN PART OF AS A WHOLE
 WITHOUT THE WRITTEN PERMISSION OF
 AMERICAN RACK COMPANY IS PROHIBITED

UNLESS OTHERWISE SPECIFIED:
 DIMENSION ARE IN INCHES
 TOLERANCES:
 FRACTIONAL $\pm 1/16$
 ANGULAR: 1°

DESIGNER:
 APPROVED:
 DETAILER:

AMERICAN RACK
CHICAGO

DRAWN DATE: 1/20/2021

SHEET 5 OF 5

Customer:

Rack #:

Part #:

Parts Per Rack: